



Notification

Mono Headsets

OPTIONAL

Symbols:

Please pay attention to the following symbols throughout this document emphasizing particular information.

- ▲ **WARNING:** Identifies an instruction, which if not followed, may cause serious injury or even death.
- **CAUTION:** Denotes an instruction which if not followed, may severely damage the aircraft or could lead to suspension of warranty.
- ◆ **NOTE:** Information useful for better handling.

1. General

Issued by: Remos Aircraft GmbH Franzfelde 31 D-17309 Pasewalk
Web: www.remos.com - Telephone: +49-3973-225519-0

Release date: July 19th 2010

Date of effect: July 19th 2010

Compliance: immediately

Release Number: NOT-004-monoheadsets

Superseded notice: none

Models affected: GX

Affected S/N: 298ff

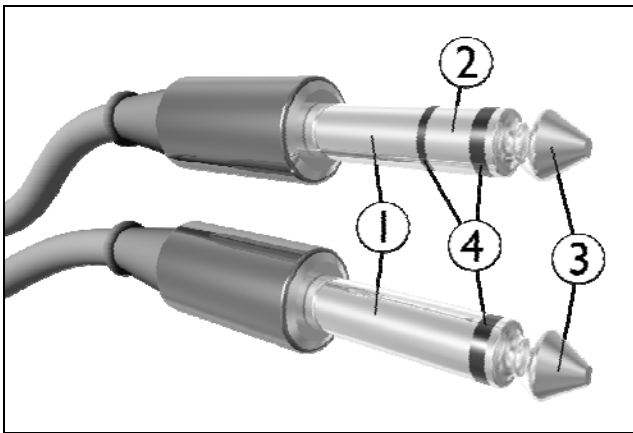
Reason: use of monoheadsets in combination with GARMIN GMA240 intercom

Notification

2. Information

The GARMIN GMA240 is a Stereo intercom designed to be used in combination with stereo headsets. The wiring of the aircraft is designed to use stereo headsets, too.

If mono headsets are plugged in, the signal for the right channel will be shorted out with ground, see figure below. The jacks in the REMOS GX do not provide an automated shutdown of the right channel if mono headsets are plugged in.



1. shaft: ground
2. ring: right channel in case of stereo jacks
3. tip: left channel in case of stereo jacks, signal in case of mono jacks
4. isolators

source: www.wikipedia.de

Shortening out the right channel with ground may lead to damage on the intercom, just as described in the belonging manual. Furthermore the radio may be damaged, too. Consequently only use stereo headsets. If you own mono headsets only and want to go on using them, use adaptors from mono jack on stereo connector. Be sure that those connectors do not short out signal and ground. Adaptors like this may be obtained at local HiFi distributors. The intercom may be damaged, too, if the headset is plugged in or pulled on while the intercom is switched on. Always shut down the intercom when connecting or disconnecting headsets.

In the future the aircraft will be equipped with stereo/mono switches. In this case mono headsets are approved without any adaptors. Make sure the stereo/mono switch is in the correct position, otherwise you still may damage your intercom. Also make sure that the intercom is switched off when you plug in or pull out the headsets.

If the intercom fails in case of using of mono headsets without appropriate stereo/mono adaptor, during operation with wrong position of the stereo/mono switch or plug in or disconnect headsets while the intercom is switched on, this is not a warranty claim!

**REMOS wishes you safe and fun flights!
Always check your aircraft before you fly!**